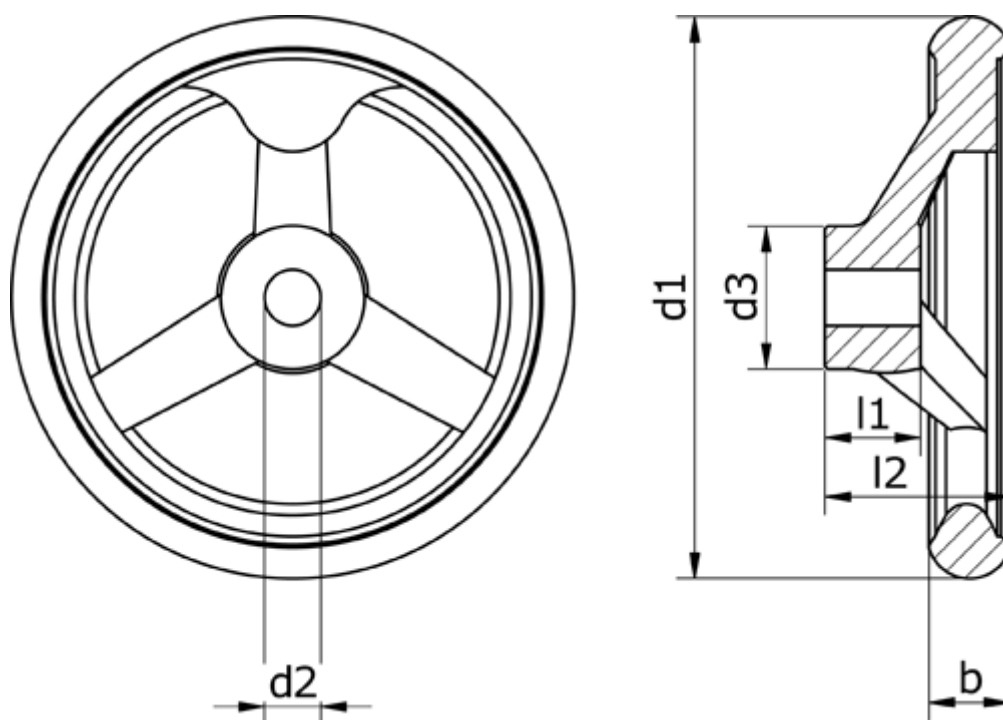


Data Sheet



Article number: 201577299
Description: E+G Handwheel
GN 950.6-125-B12-A

Measures



b1 = 15.8
d1 = 125
d2 = 12
d3 = 27.0
d4 = M8
l1 = 18
l2 = 35.5